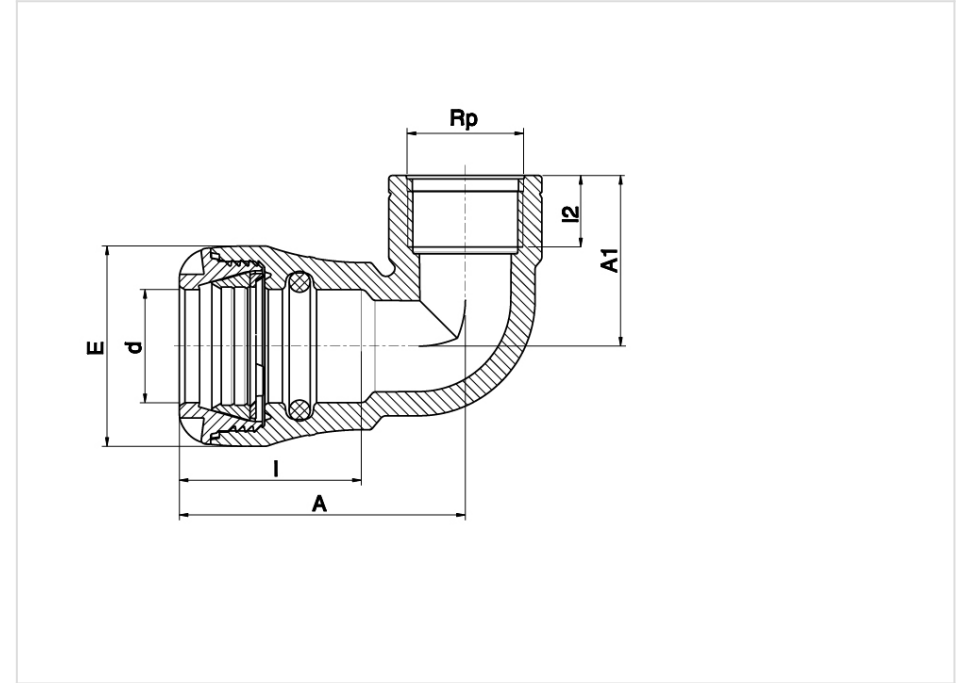


90° ELBOW WITH THREADED FEMALE OFFTAKE - 101500

#101500



Body Material: Polypropylene, high-grade copolymer.

Nut Material: Polypropylene, high-grade copolymer.;

Split Ring Material: Polyacetal

Seal Material: NBR

Family Products

Product Code	dmm	Rpinch	Amm	A1mm	Emm	Imm	I2	Pressure Rating Water	Weightg	Unit Per Bag	Unit Per Carton
101500020005	20	1/2"	67	39	41	45	17	PN 16	51	1	300
101500020007	20	3/4"	67	43	41	45	18	PN 16	55	1	300
101500020010	20	1"	67	49	41	45	21	PN 16	64	1	300
101500025005	25	1/2"	74	40	47	48	17	PN 16	63	1	280
101500025007	25	3/4"	74	43	47	48	18	PN 16	70	1	250
101500025010	25	1"	74	50	47	48	21	PN 16	82	1	220
101500032007	32	3/4"	83	45	58	54	18	PN 16	95	1	220
101500032010	32	1"	83	49	58	54	21	PN 16	111	1	200
101500032013	32	1 1/4"	83	60	58	54	24	PN 16	145	1	150
101500040010	40	1"	107	51	70	72	21	PN 16	179	1	110
101500040013	40	1 1/4"	107	61	70	72	24	PN 16	226	1	100
101500040015	40	1 1/2"	107	65	70	72	24	PN 16	244	1	90
101500050015	50	1 1/2"	119	63	85	79	24	PN 16	330	1	60

Product Code	d_{mm}	R_pinch	A_{mm}	A1_{mm}	E_{mm}	I_{mm}	I2	Pressure Rating Water	Weight_g	Unit Per Bag	Unit Per Carton
101500050020	50	2"	119	75	85	79	29	PN 16	349	1	55
101500063020	63	2"	141	70	103	79	29	PN 16	534	1	35