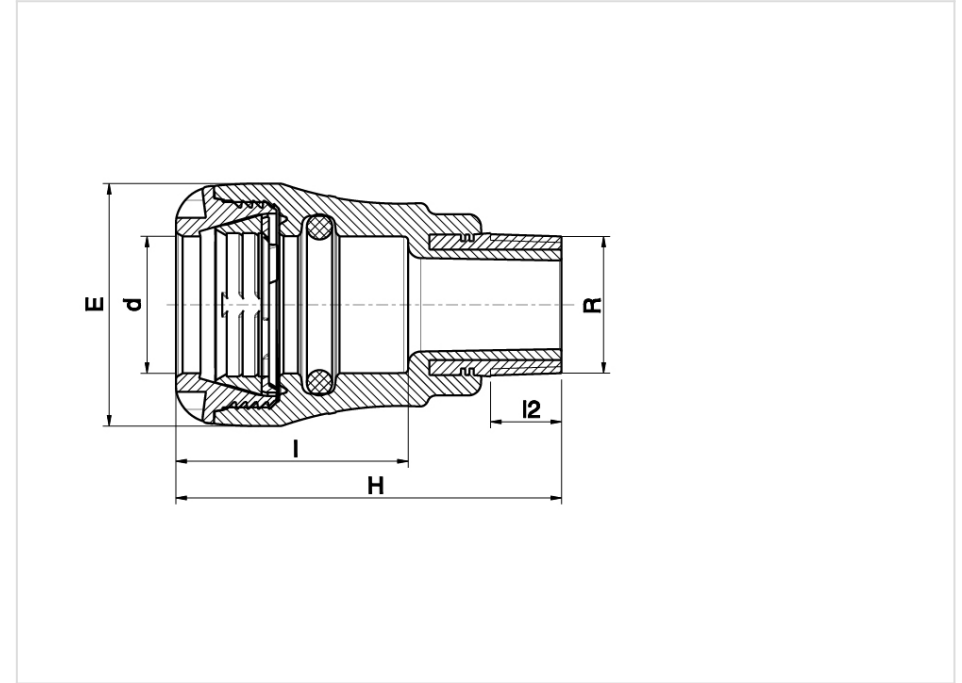


MALE ADAPTOR - 100200

#100200



Body Material: Polypropylene, high-grade copolymer.

Nut Material: Polypropylene, high-grade copolymer.;

Split Ring Material: Polyacetal

Seal Material: NBR

Family Products

Product Code	dmm	Rinch	Emm	Hmm	I	I2	Pressure Rating Water	Weight _g	Unit Per Bag	Unit Per Carton
100200020005	20	1/2"	41	70	45	16	PN 16	41	1	400
100200020007	20	3/4"	41	71	45	17	PN 16	41	1	380
100200025005	25	1/2"	47	75	48	16	PN 16	52	1	380
100200025007	25	3/4"	47	76	48	17	PN 16	52	1	350
100200025010	25	1"	47	78	48	19	PN 16	55	1	320
100200032007	32	3/4"	58	82	55	17	PN 16	83	1	250
100200032010	32	1"	58	84	55	19	PN 16	86	1	250
100200032013	32	1 1/4"	58	86	55	21	PN 16	90	1	250
100200032015	32	1 1/2"	58	86	55	21	PN 16	94	1	250
100200032020	32	2"	58	97	55	25	PN 16	138	1	180
100200040010	40	1"	70	104	73	19	PN 16	145	1	140
100200040013	40	1 1/4"	70	106	73	21	PN 16	149	1	135
100200040015	40	1 1/2"	70	106	73	21	PN 16	152	1	130

Product Code	dmm	Rinch	Emm	Hmm	I	I2	Pressure Rating Water	Weight _g	Unit Per Bag	Unit Per Carton
100200040020	40	2"	70	110	73	25	PN 16	161	1	130
100200050010	50	1	85	125	78	19	PN 16	238	1	90
100200050013	50	1 1/4"	85	122	78	21	PN 16	234	1	90
100200050015	50	1 1/2"	85	114	81	21	PN 16	226	1	90
100200050020	50	2"	85	118	81	25	PN 16	232	1	85
100200063015	63	1 1/2"	103	125	92	19	PN 16	377	1	50
100200063020	63	2"	103	129	92	25	PN 16	367	1	50