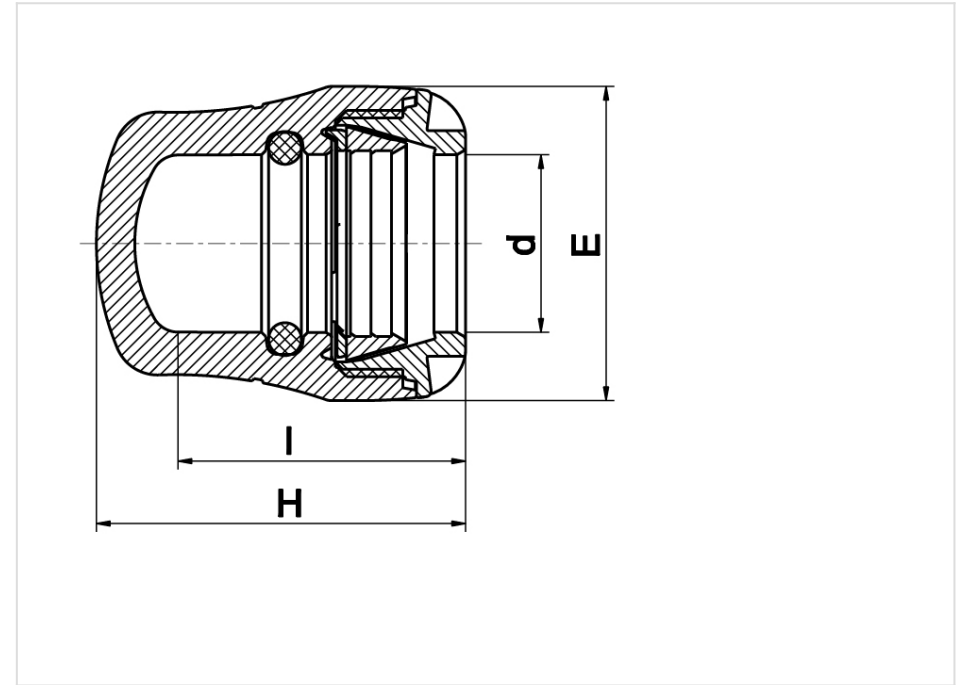


END PLUG - 101200

#101200



Body Material: Polypropylene, high-grade copolymer.

Nut Material: Polypropylene, high-grade copolymer.;

Split Ring Material: Polyacetal

Seal Material: NBR

Family Products

Product Code	d _{mm}	E _{mm}	H _{mm}	I	Pressure Rating Water	Weight _g	Unit Per Bag	Unit Per Carton
101200020	20	41	56	45	PN 16	39	1	420
101200025	25	47	60	48	PN 16	50	1	380
101200032	32	58	68	53	PN 16	82	1	280
101200040	40	70	90	71	PN 16	146	1	150
101200050	50	85	102	79	PN 16	229	1	100
101200063	63	103	117	91	PN 16	379	1	55