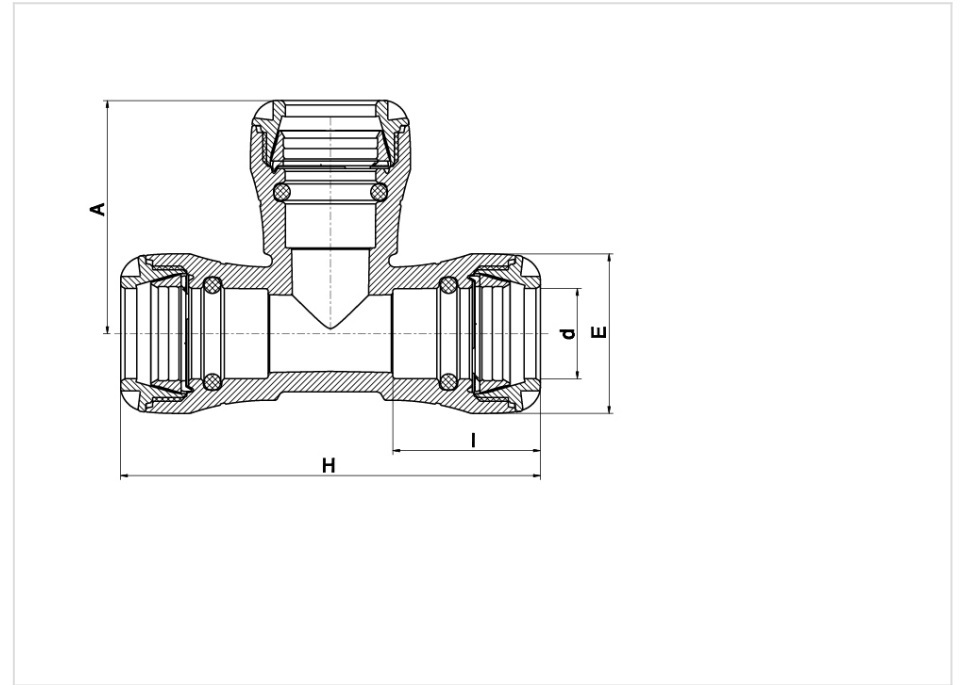


90° TEE - 100400

#100400



Body Material: Polypropylene, high-grade copolymer.

Nut Material: Polypropylene, high-grade copolymer.;

Split Ring Material: Polyacetal

Seal Material: NBR

Family Products

Product Code	d _{mm}	A _{mm}	E _{mm}	H _{mm}	I	Pressure Rating Water	Weight _g	Unit Per Bag	Unit Per Carton
100400020	20	71	41	123	45	PN 16	103	1	180
100400025	25	78	47	134	48	PN 16	137	1	130
100400032	32	84	58	152	54	PN 16	221	1	80
100400040	40	108	70	192	70	PN 16	429	1	45
100400050	50	124	85	214	78	PN 16	667	1	30
100400063	63	147	103	262	90	PN 16	1157	1	14