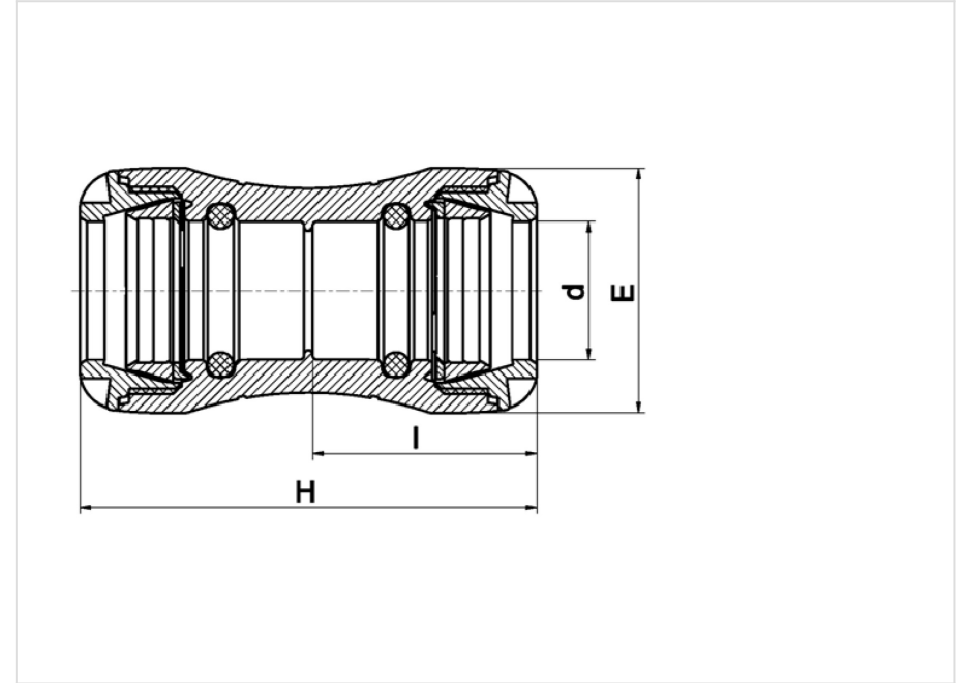


COUPLER - 100100

#100100



Body Material: Polypropylene, high-grade copolymer.

Nut Material: Polypropylene, high-grade copolymer.;

Split Ring Material: Polyacetal

Seal Material: NBR

Family Products

Product Code	dmm	Emm	Hmm	I	Pressure Rating Water	Weight _g	Unit Per Bag	Unit Per Carton
100100020	20	41	92	45	PN 16	64	1	320
100100020	20	41	92	45	PN 16	64	1	320
100100025	25	47	98	48	PN 16	80	1	250
100100025	25	47	98	48	PN 16	80	1	250
100100032	32	58	108	53	PN 16	126	1	150
100100032	32	58	108	53	PN 16	126	1	150
100100040	40	70	142	70	PN 16	256	1	90
100100040	40	70	142	70	PN 16	256	1	90
100100050	50	85	158	78	PN 16	369	1	55
100100050	50	85	158	78	PN 16	369	1	55
100100063	63	103	183	90	PN 16	620	1	30
100100063	63	103	183	90	PN 16	620	1	30