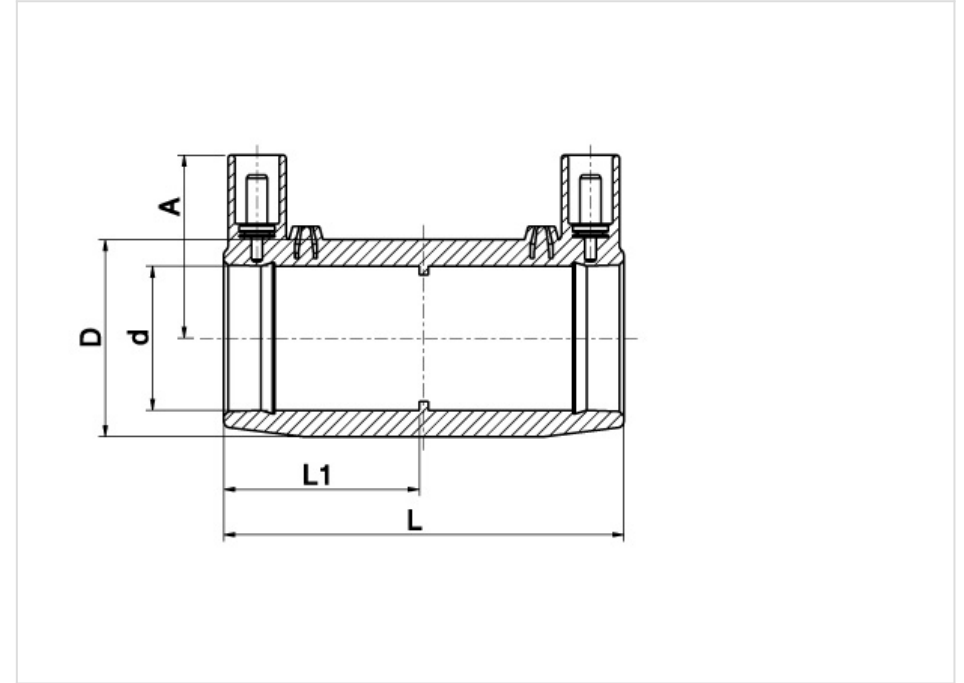


# COUPLER - 490104

#490104



**Body Material:** PE100

## Family Products

Product Code	d <sub>mm</sub>	A <sub>mm</sub>	D <sub>mm</sub>	L <sub>mm</sub>	L1 <sub>mm</sub>	Gas Pressure Rating	Pressure Rating Water	Suitable Pipes	Weight <sub>g</sub>	Unit Per Bag	Unit Per Carton
490104016	16	39	35	71	34	PE100 SDR 11	PN 16	SDR 7 to SDR 11	58	1	480
490104020	20	34	31	76	37	PE100 SDR 11	PN 16	SDR 7 to SDR 11	50	1	440
490104025	25	37	36	82	40	PE100 SDR 11	PN 16	SDR 7 to SDR 11	40	1	360
490104032	32	42	44	88	42	PE100 SDR 11	PN 16	SDR 7 to SDR 11	64	1	256
490104040	40	46	56	97	47	PE100 SDR 11	PN 16	SDR 7 to SDR 11	97	1	200
490104050	50	51	67	101	49	PE100 SDR 11	PN 16	SDR 7 to SDR 11	161	1	125
490104063	63	56	82	118	58	PE100 SDR 11	PN 16	SDR 7 to SDR 17	230	1	72
490104075	75	62	98	127	62	PE100 SDR 11	PN 16	SDR 7 to SDR 17	340	1	60
490104090	90	71	112	148	73	PE100 SDR 11	PN 16	SDR 7 to SDR 17	475	1	38
490104110	110	81	135	163	80	PE100 SDR 11	PN 16	SDR 7 to SDR 17	718	1	23
490104125	125	87	157	173	85	PE100 SDR 11	PN 16	SDR 7 to SDR 17	1075	1	18
490104140	140	97	174	183	90	PE100 SDR 11	PN 16	SDR 7 to SDR 17	1295	1	12
490104160N	160	105	194	195	93	PE100 SDR 11	PN 16	SDR 7 to SDR 17	1555	1	6
490104180N	180	116	218	212	105	PE100 SDR 11	PN 16	SDR 7 to SDR 17	2112	1	5
490104200N	200	126	242	223	109	PE100 SDR 11	PN 16	SDR 7 to SDR 17	2785	1	4

<b>Product Code</b>	<b>d<sub>mm</sub></b>	<b>A<sub>mm</sub></b>	<b>D<sub>mm</sub></b>	<b>L<sub>mm</sub></b>	<b>L1<sub>mm</sub></b>	<b>Gas Pressure Rating</b>	<b>Pressure Rating Water</b>	<b>Suitable Pipes</b>	<b>Weight<sub>g</sub></b>	<b>Unit Per Bag</b>	<b>Unit Per Carton</b>
490104225N	225	138	272	240	119	PE100 SDR 11	PN 16	SDR 7 to SDR 17	3900	1	4
490104250	250	156	301	251	123	PE100 SDR 11	PN 16	SDR 7 to SDR 21	4461	1	2
490104280	280	170	342	275	134	PE100 SDR 11	PN 16	SDR 7 to SDR 17	6440	1	1
490104315	315	184	387	282	139	PE100 SDR 11	PN 16	SDR 7 to SDR 26	8845	1	1
490104355	355	203	431	277	137	PE100 SDR 11	PN 16	SDR 7 to SDR 17	10200	1	1